



RICHMOND DESIGN GROUP



Stephen Richmond Building Design & Consultancy

EXCELLENCE THROUGH INTELLIGENT DESIGN

57 Ely, Street, Yarrawonga, 3730, VIC
 PH: 0400 020 436
 Email: Steve@srbdc.com.au



REGISTERED
 Building Practitioner

DP-AD 39373

MEMORIAL PLAZA UPGRADE

Client: Federation Council

Address:
 88 SANGER ST, COROWA, NSW, 2646

SHEET NAME: VEIW 2		REV:	DATE
SHEET No: 02	Scale: As Shown		
Date: 01/09/2020			
Project No: 0130			
Drawn By: SAR	Chk: SAR	A4 SHEET	



Stephen Richmond Building Design & Consultancy

EXCELLENCE THROUGH INTELLIGENT DESIGN

57 Ely, Street, Yarrowonga, 3730, VIC
 PH: 0400 020 436
 Email: Steve@srbd.com.au



REGISTERED
 Building Practitioner

DP-AD 39373

MEMORIAL PLAZA UPGRADE

Client: Federation Council

Address:
 88 SANGER ST, COROWA, NSW, 2646

SHEET NAME: VIEW 4		REV:	DATE
SHEET No: 04	Scale: As Shown		
Date: 01/09/2020			
Project No: 0130			
Drawn By: SAR	Chk: SAR	A4 SHEET	



Stephen Richmond Building Design & Consultancy

EXCELLENCE THROUGH INTELLIGENT DESIGN

57 Ely, Street, Yarrowonga, 3730, VIC
 PH: 0400 020 436
 Email: Steve@srbd.com.au



REGISTERED
 Building Practitioner

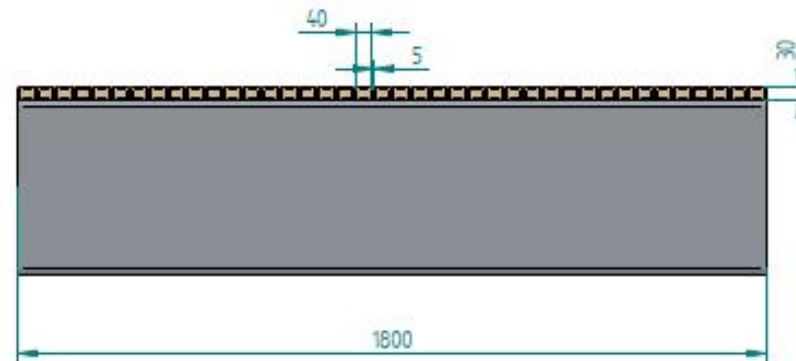
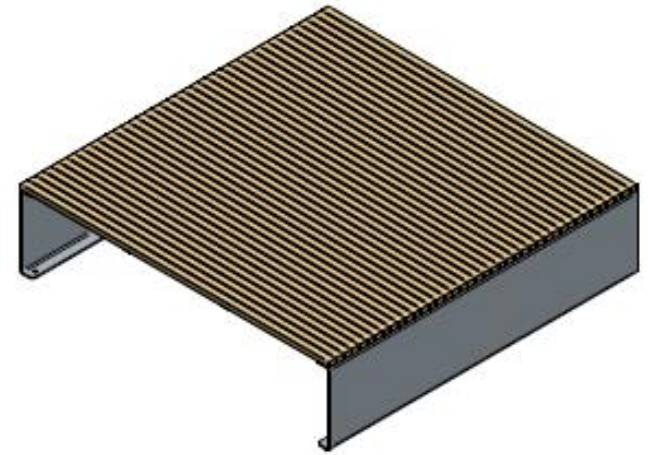
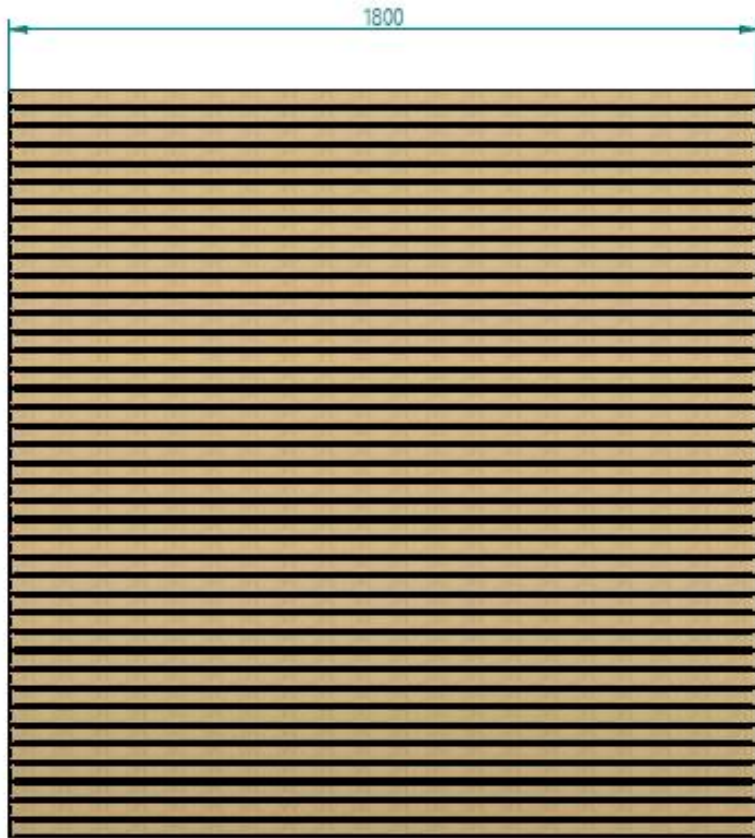
DP-AD 39373

MEMORIAL PLAZA UPGRADE

Client: Federation Council

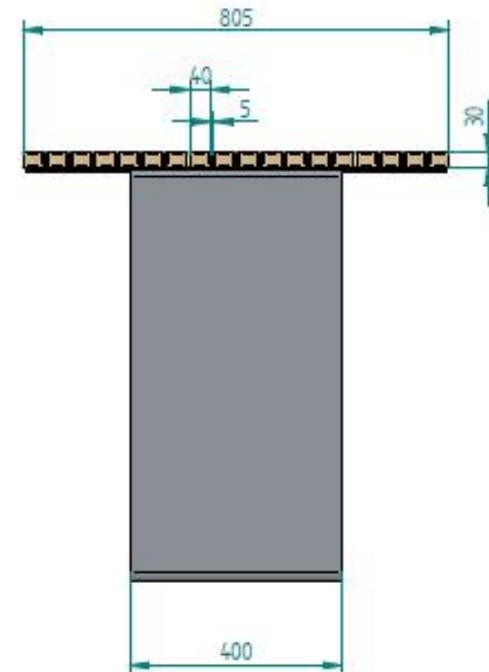
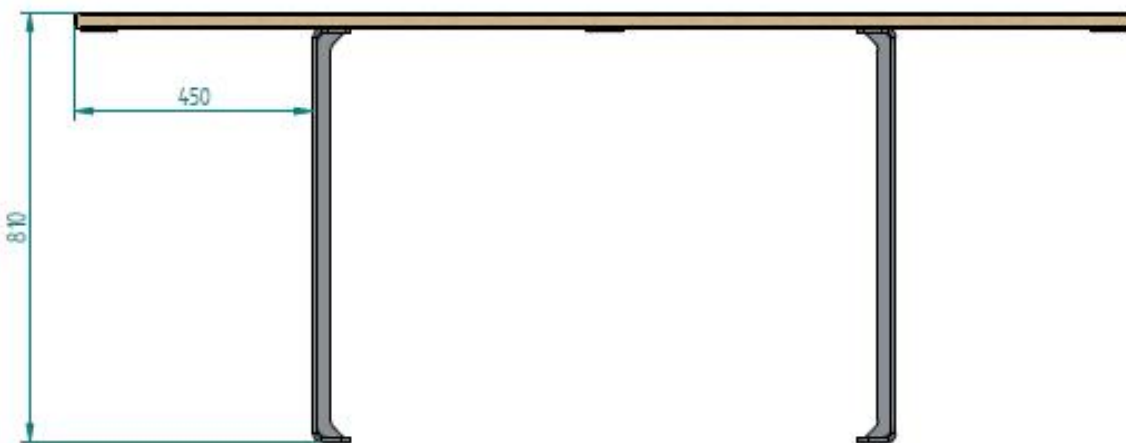
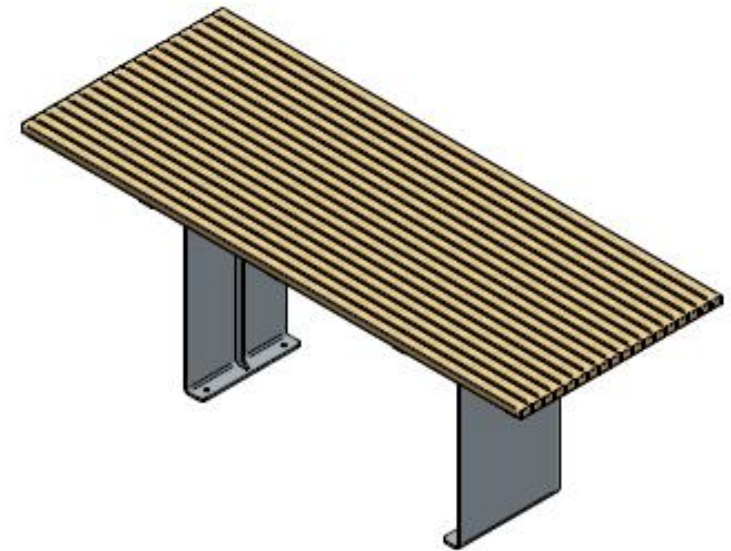
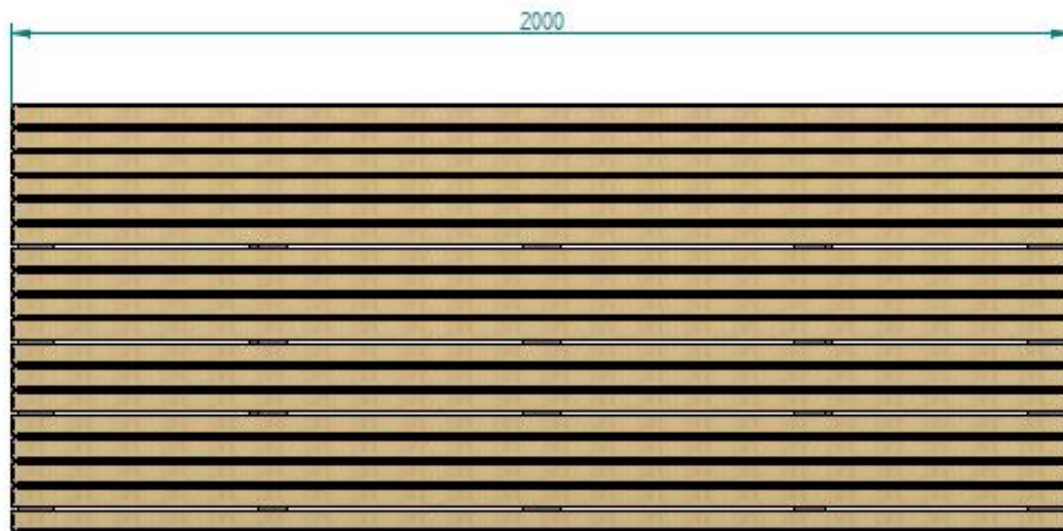
Address:
 88 SANGER ST, COROWA, NSW, 2646

SHEET NAME: VEIW 3		REV:	DATE
SHEET No: 03	Scale: As Shown		
Date: 01/09/2020			
Project No: 0130			
Drawn By: SAR	Chk: SAR	A4 SHEET	



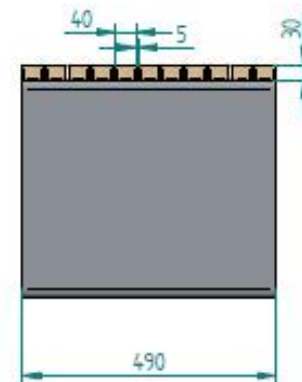
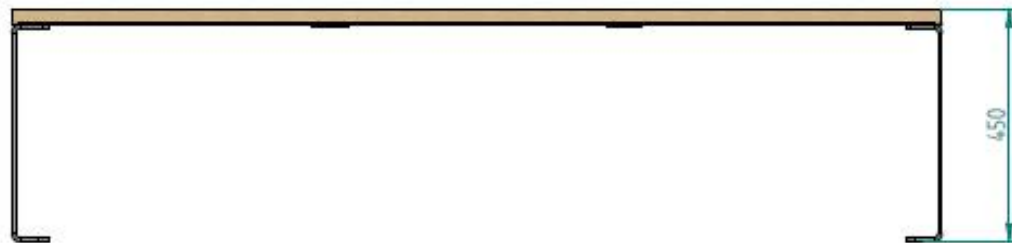
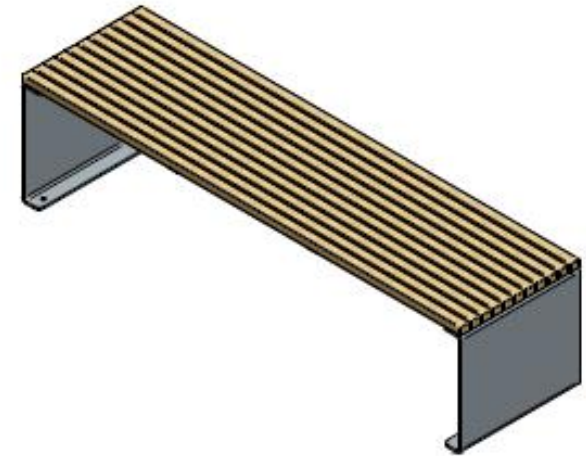
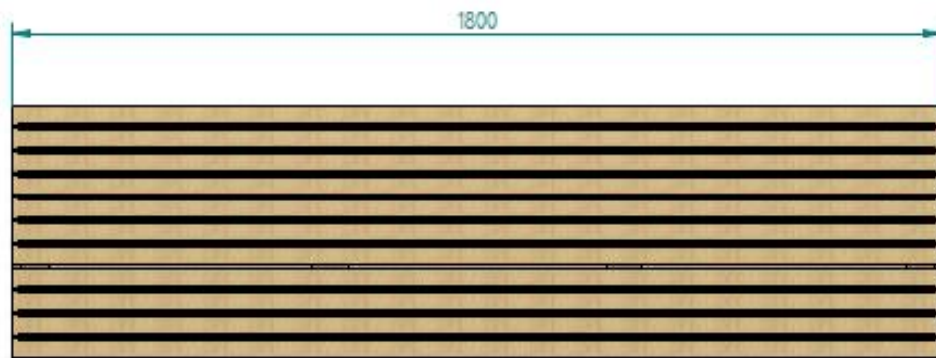
- 40x30 Spotted Gum Hardwood Timber Battens
- Timbers Coated in Cutek CD50
- 8mm Pressed Plate Construction
- Galvanized, Powder Coated or Stainless Steel Finish

	NAME	DATE
DRWn	Triston	31/03/20
CHECKED		
ENG APPR		
MEP APPR		
UNLESS OTHERWISE SPECIFIED DIMENSIONS ARE IN MILLIMETERS ANGLES 45°		
2 PL 400X 3 PL 40000		
StraBe STREETS AHEAD		
TITLE: Wharf - Platform		
REV	ENG NO.	REV
AZ	Z26-Asm-111.1	A
FILE NAME: Z26-Asm-111.dwg		
SCALE:	SHEET 1 OF 1	



- 40x30 Spotted Gum Hardwood Timber Battens
- Timbers Coated in Cufek CD50
- 8mm Pressed Plate Construction
- Galvanized, Powder Coated or Stainless Steel Finish

	NAME	DATE
DRAWN	Triston	19/10/20
CHECKED		
ENG APPR		
MECH APPR		
UNLESS OTHERWISE SPECIFIED DIMENSIONS ARE IN MILLIMETERS ANGLES 45°		
2 PL 40X3 3 PL 40X30X		
StraBe STREETS AHEAD		
TITLE		
wharf - Table w/c Access @ 2.0m		
SIZE	DWG NO.	REV
A3	2.26-Asm-107.1	1
FILE NAME: 226-107-107.dwg		
SCALE	SHEET 1 OF 1	



- 40x30 Spotted Gum Hardwood Timber Battens
- Timbers Coated in Cutek CD50
- 8mm Pressed Plate Construction
- Galvanized, Powder Coated or Stainless Steel Finish

	NAME	DATE
DRAWN	Triston	19/10/20
CHECKED		
ENG APPR		
MEP APPR		

UNLESS OTHERWISE SPECIFIED
DIMENSIONS ARE IN MILLIMETERS
ANGLES 45°
2 PL 40X3 3 PL 40X30

StraBe
STREETS AHEAD

TITLE		
Wharf - Bench @ 1.8m		
REV	NO.	NO.
AZ	226-Asm-102.1	A
FILE NAME: 226-Asm-102.1P		
SCALE	SHEET 1 OF 1	