



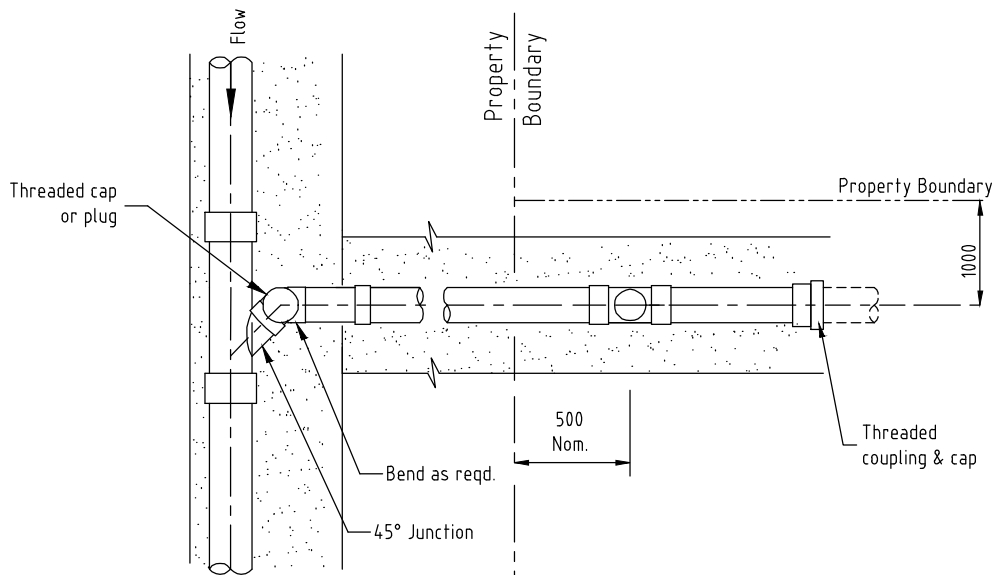
Federation Council Standard Drawing Index

Series 700 - Sewerage

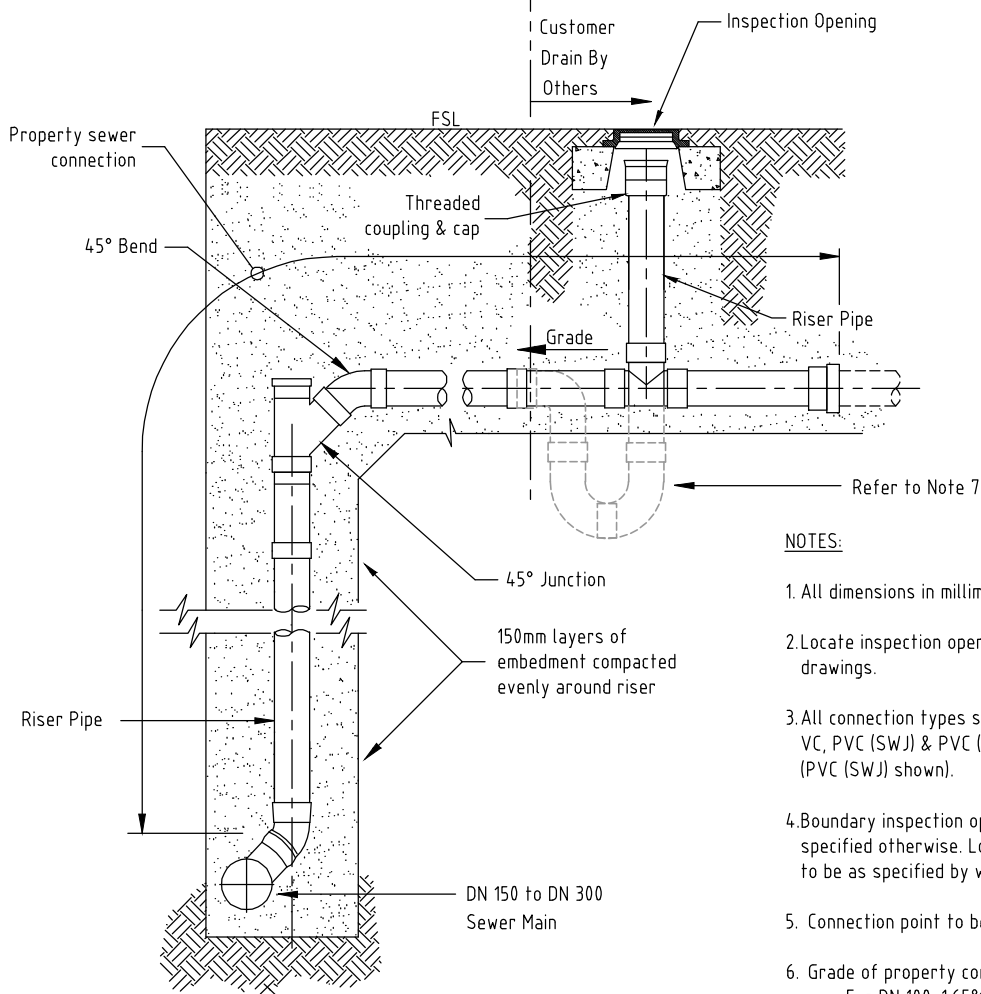
SD 700 - External Main Connection to Property - Vertical Drop > 1500mm

SD 701 - External Main Connection to Property - Vertical Drop up to 1500mm

SD 702 - Internal Main Connection to Property - Vertical Drop > 1500m



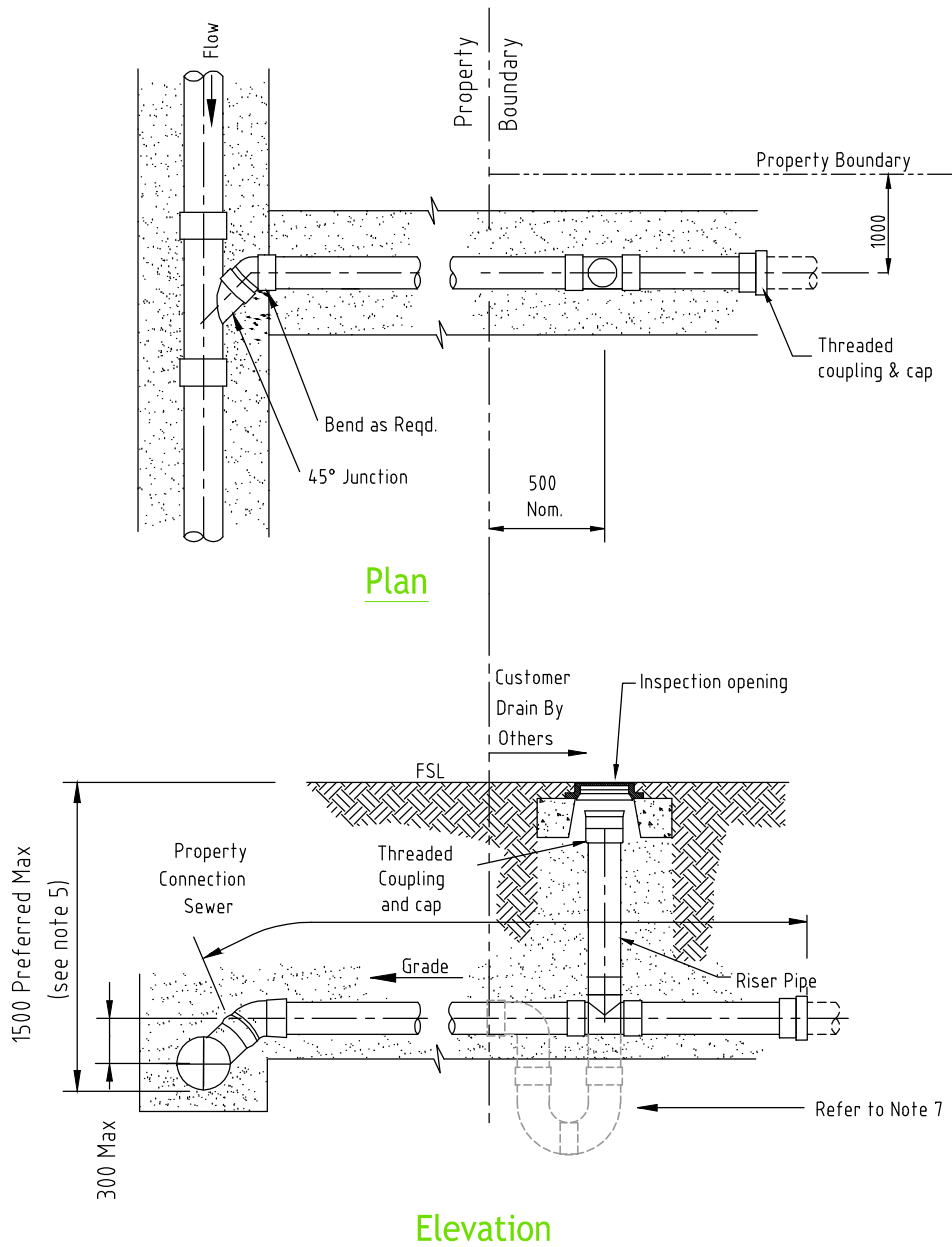
Plan



Elevation

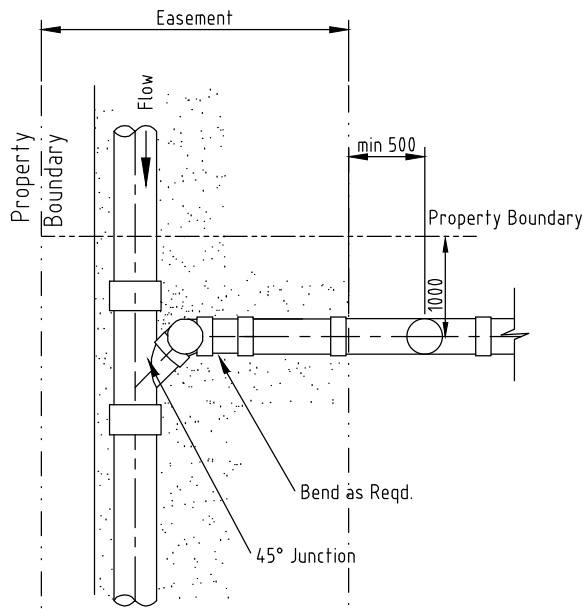
NOTES:

1. All dimensions in millimetres.
2. Locate inspection openings in accordance with design drawings.
3. All connection types shown on this drawing are applicable to VC, PVC (SWJ) & PVC (RRJ) pipes unless otherwise shown (PVC (SWJ) shown).
4. Boundary inspection opening (IO) is part of the sewer unless specified otherwise. Location, IO cover, frame & support slab to be as specified by water agency.
5. Connection point to be <1.5m below surface.
6. Grade of property connection sewer not to be less than:
 - For DN 100: 1.65%
 - For DN150: 1.00%
7. Where Boundary Trap is installed the responsibility is with the customer not Council.

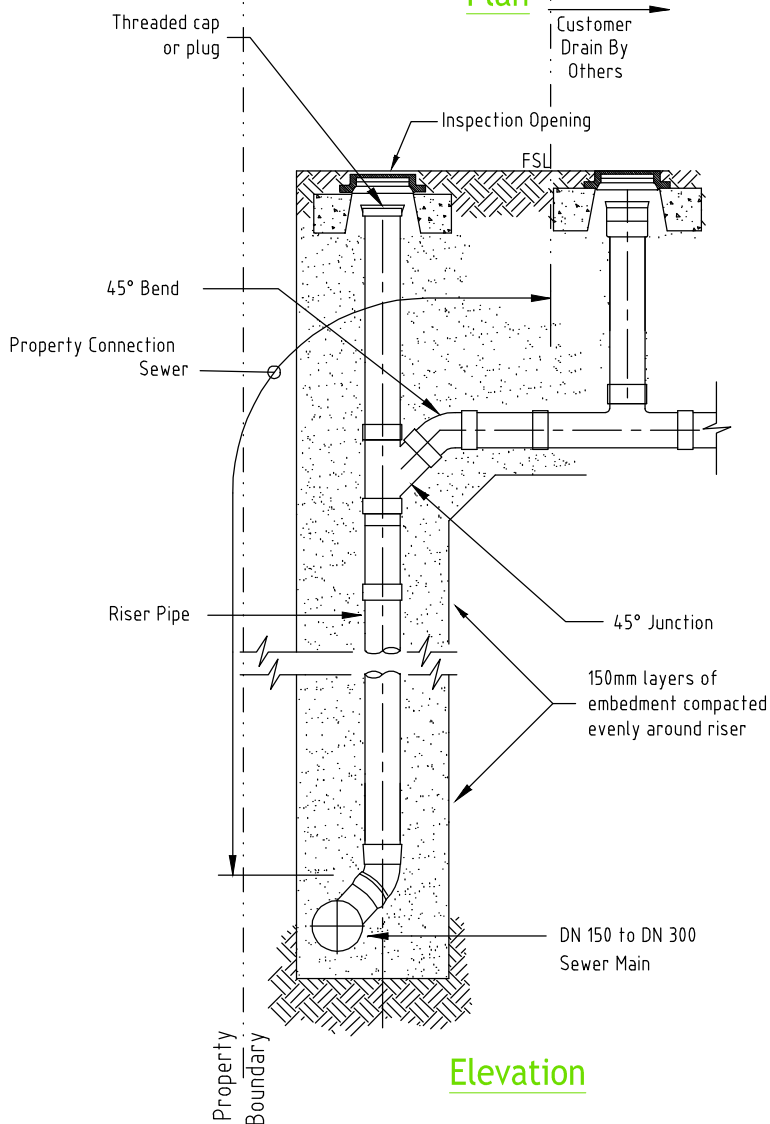


NOTES:

1. All dimensions in millimetres.
2. Locate inspection openings in accordance with design drawings.
3. All connection types shown on this drawing are applicable to VC, PVC (SWJ) & PVC (RRJ) pipes unless otherwise shown (PVC (SWJ) shown).
4. Boundary inspection opening (IO) is part of the sewer unless specified otherwise. Location, IO cover, frame & support slab to be as specified by water agency.
5. Connection point to be <1.5m below surface.
6. Grade of property connection sewer not to be less than:
 - For DN 100: 1.65%
 - For DN150: 1.00%
7. Where Boundary Trap is installed the responsibility is with the customer not Council.



Plan



Elevation

NOTES:

1. All dimensions in millimetres.
2. Locate inspection openings in accordance with design drawings.
3. All connection types shown on this drawing are applicable to VC, PVC (SWJ) & PVC (RRJ) pipes unless otherwise shown (PVC (SWJ) shown).
4. Boundary inspection opening (IO) is part of the sewer unless specified otherwise. Location, IO cover, frame & support slab to be as specified by water agency.
5. Connection point to be <1.5m below surface.
6. Grade of property connection sewer not to be less than:
 - For DN 100: 1.65%
 - For DN150: 1.00%

Main within Property



Standard Drawing

LAST UPDATED: 11/12/18

FILE PATH: A4
 N:_Design Manual\Federation Council Standard Drawings & Development Guidelines\Standard Drawings\700 SERIES - SEWERAGE\700 SERIES.dwg

INTERNAL MAIN CONNECTION TO PROPERTY
 VERTICAL DROP >1500

SD702

REV
 A