



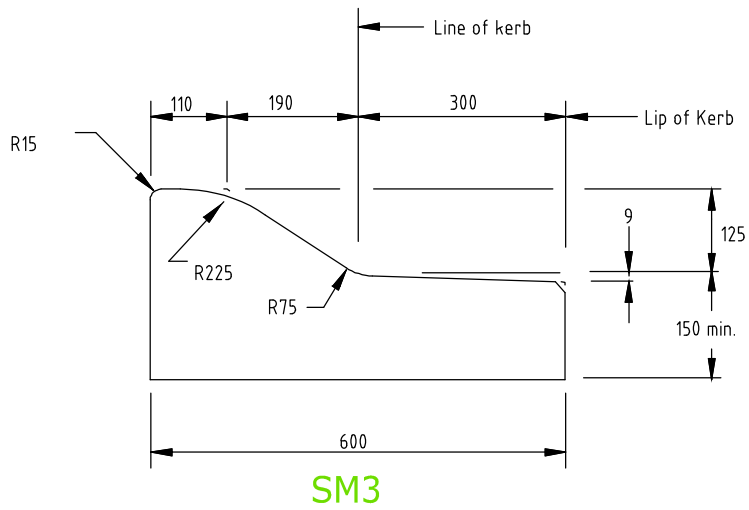
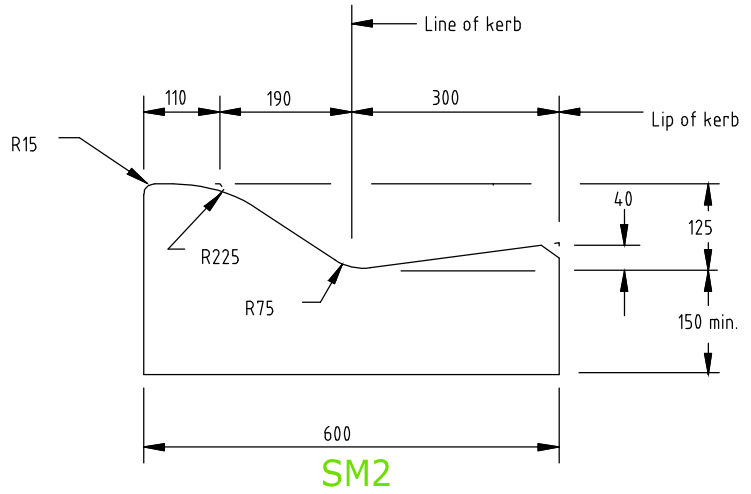
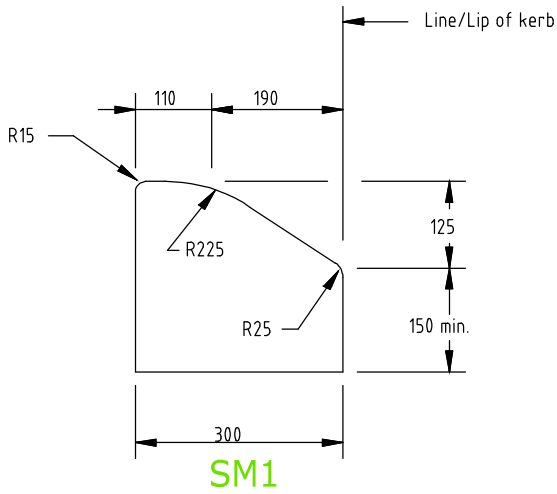
Federation Council Standard Drawing Index

Series 500 - Kerb & Gutter

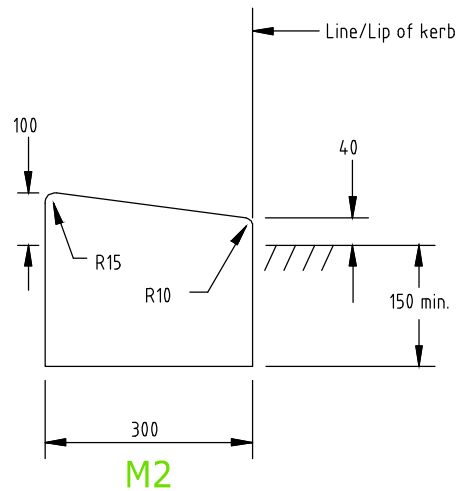
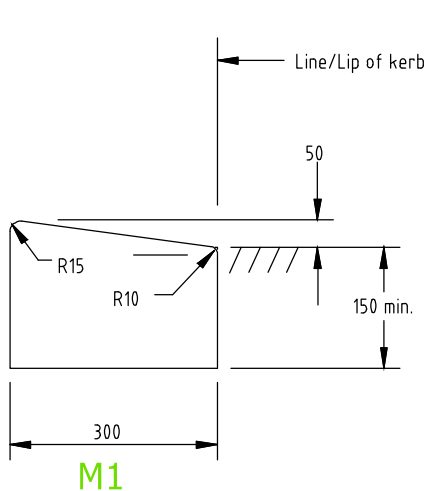
SD 500 - Standard Kerb Profiles - Mountable Kerbs

SD 501 - Standard Kerb Profiles - Barrier Kerbs & Edge Strip

SD 502 - K&G Construction Setout - for Surveying Purposes



**Semi-Mountable Kerbs**



**Mountable Kerbs**

**NOTES:**

1. Concrete shall be min. 25MPa - complying with requirements of AS1379.



Standard Drawing

LAST UPDATED: 11/12/18

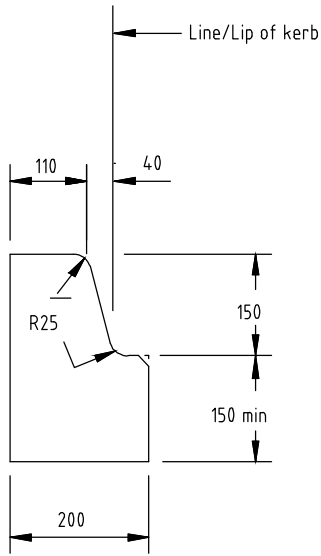
FILE PATH: A4

N:\\_Design Manual\Federation Council Standard Drawings & Development Guidelines\Standard Drawings\500 SERIES - KERB & GUTTER\500 SERIES.dwg

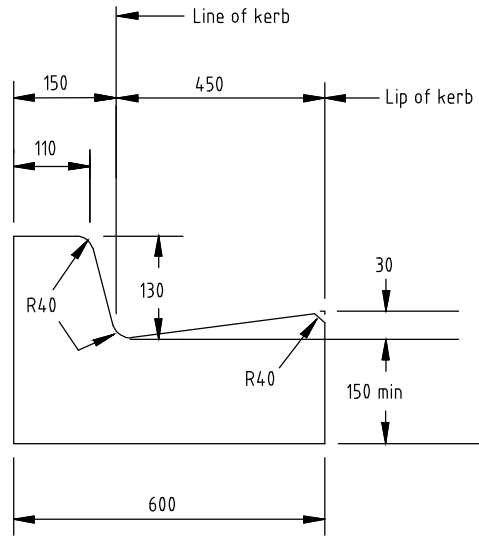
**STANDARD KERB PROFILES**  
MOUNTABLE KERBS

**SD500**

REV  
A



B1

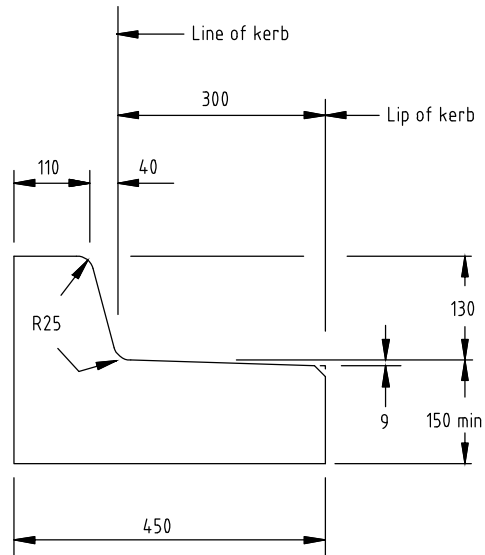


B2

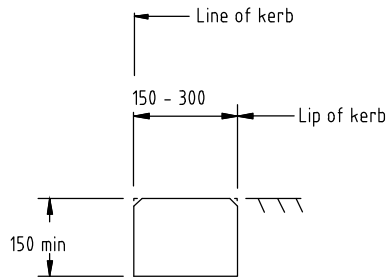
Barrier Kerbs

NOTES:

- Concrete shall be min. 25MPa - complying with requirements of AS1379.



B3



Edge Strip



Standard Drawing

LAST UPDATED: 11/12/18

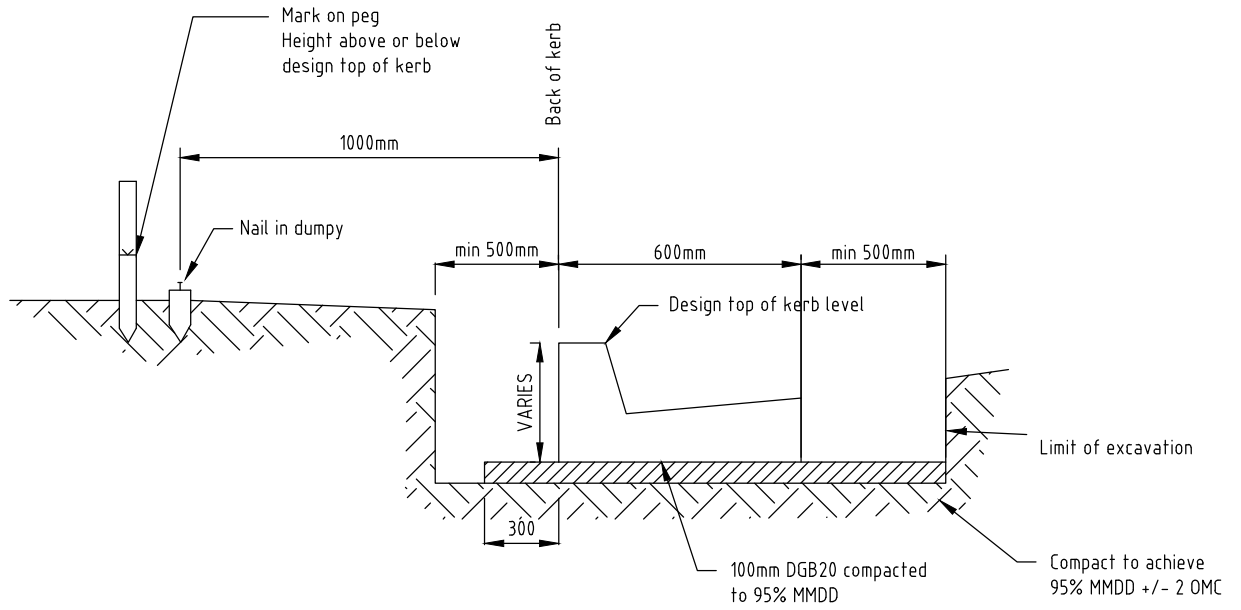
FILE PATH: A4

N:\\_Design Manual\Federation Council Standard Drawings & Development Guidelines\Standard Drawings\500 SERIES - KERB & GUTTER\500 SERIES.dwg

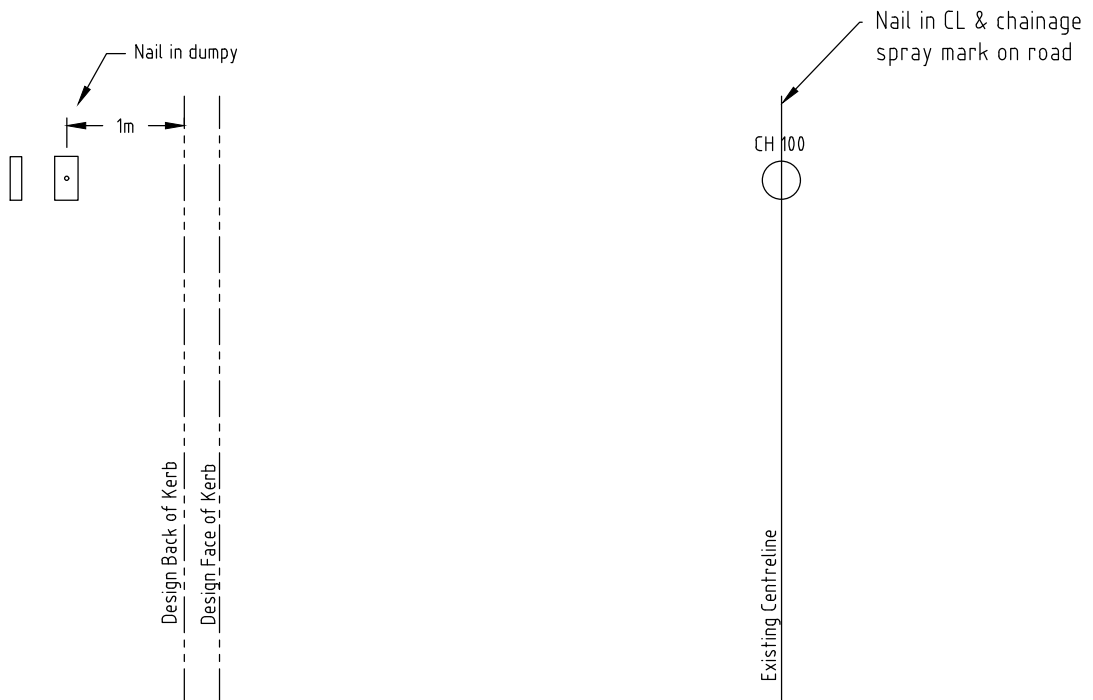
**STANDARD KERB PROFILES**  
BARRIER KERBS & EDGE STRIP

SD501

REV  
A



Details  
Not To Scale



Plan  
Not To Scale